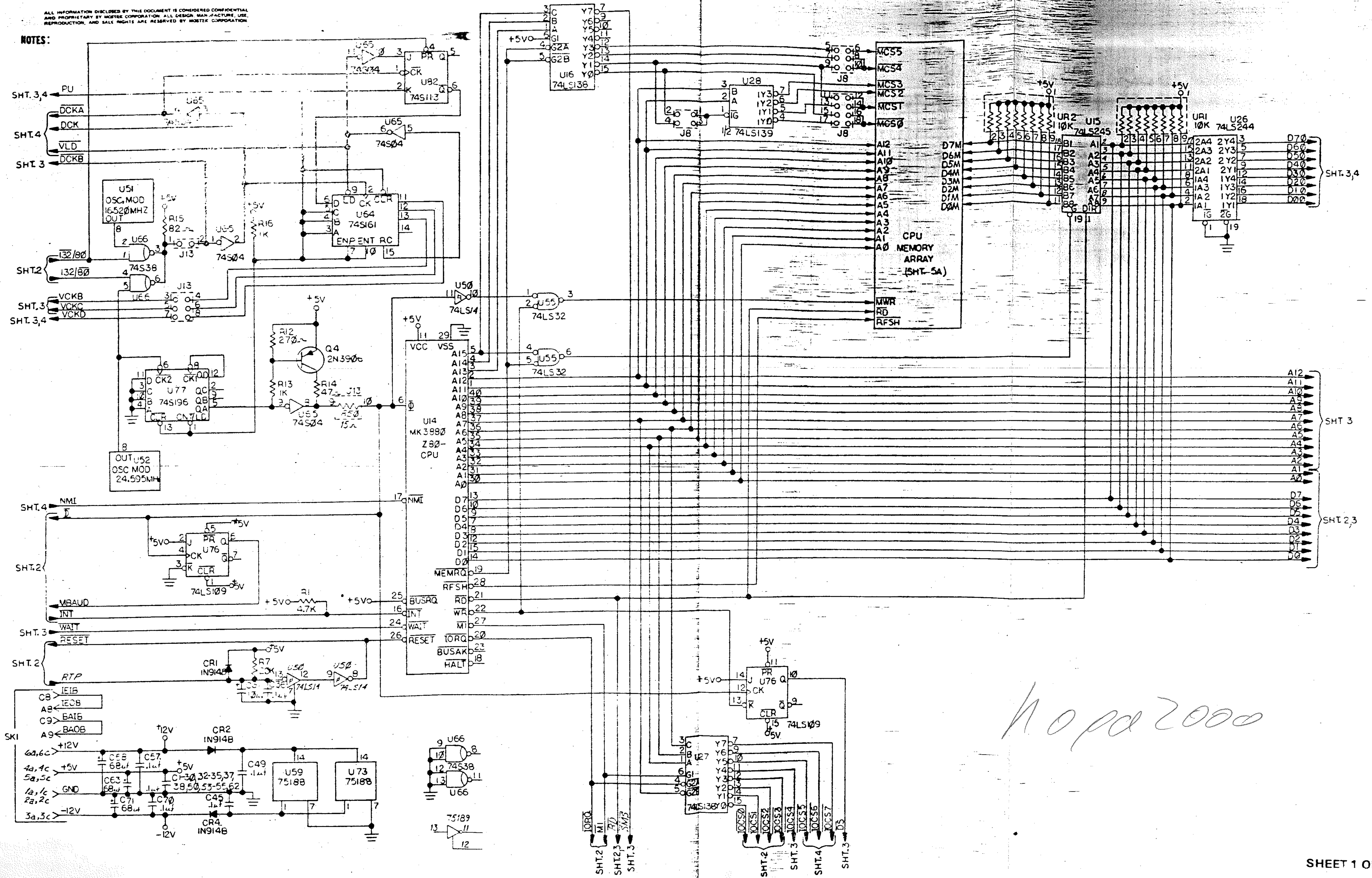


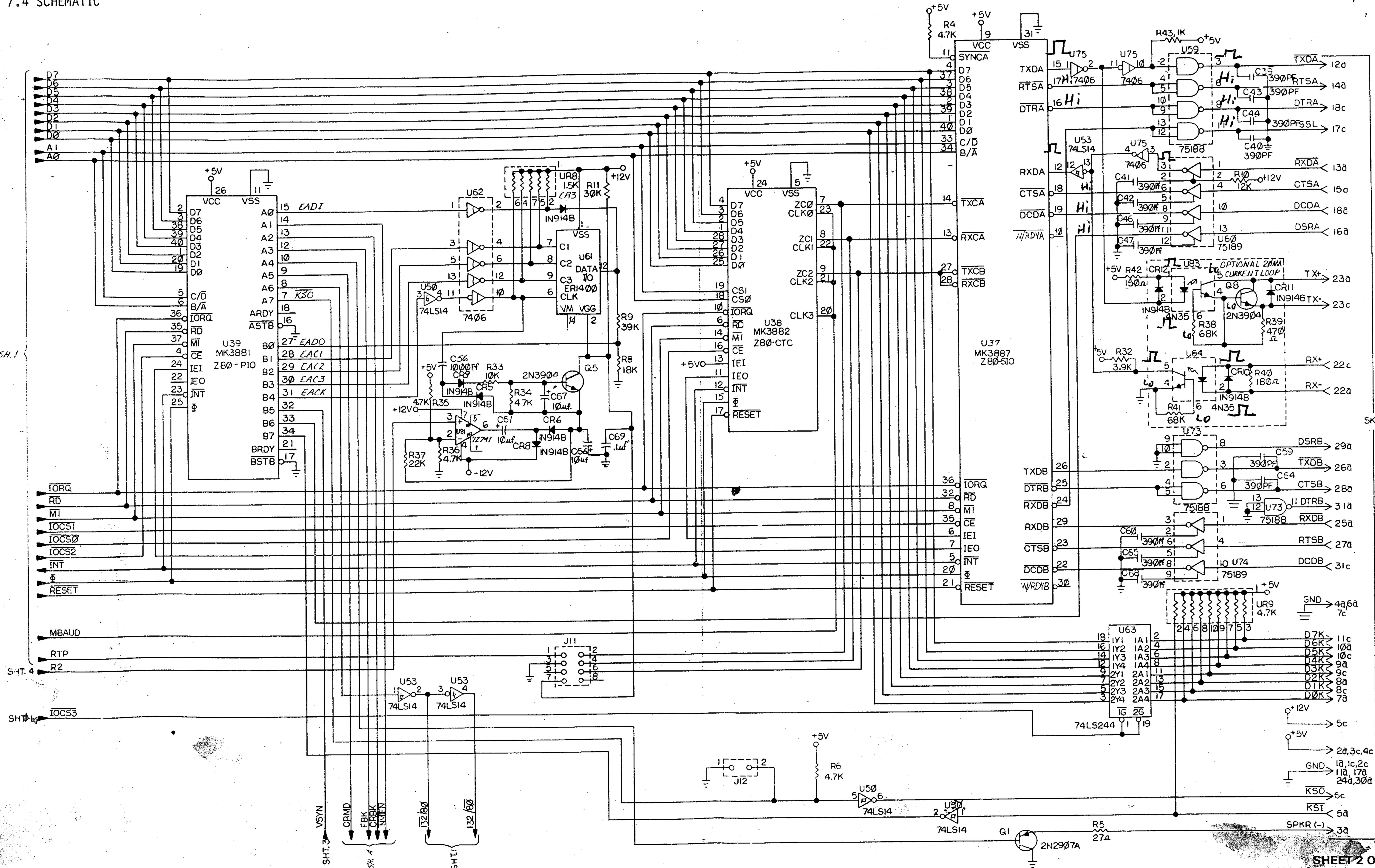
7.4 SCHEMATIC

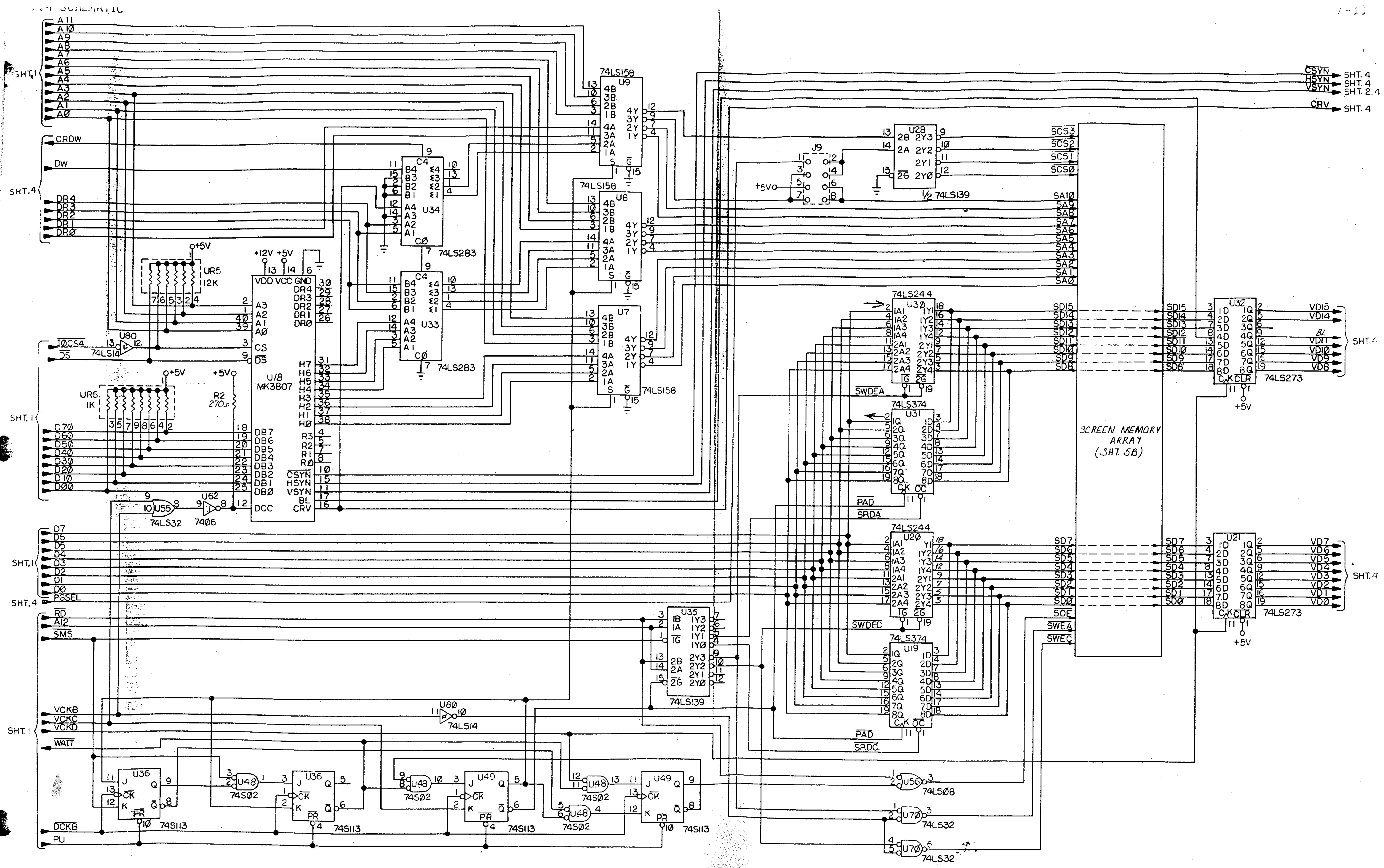
ALL INFORMATION DISCLOSED BY THIS DOCUMENT IS CONSIDERED CONFIDENTIAL AND PROPRIETARY BY MOSTEK CORPORATION. ALL DESIGN, MANUFACTURE, USE, REPRODUCTION, AND SALE RIGHTS ARE RESERVED BY MOSTEK CORPORATION.

NOTES:

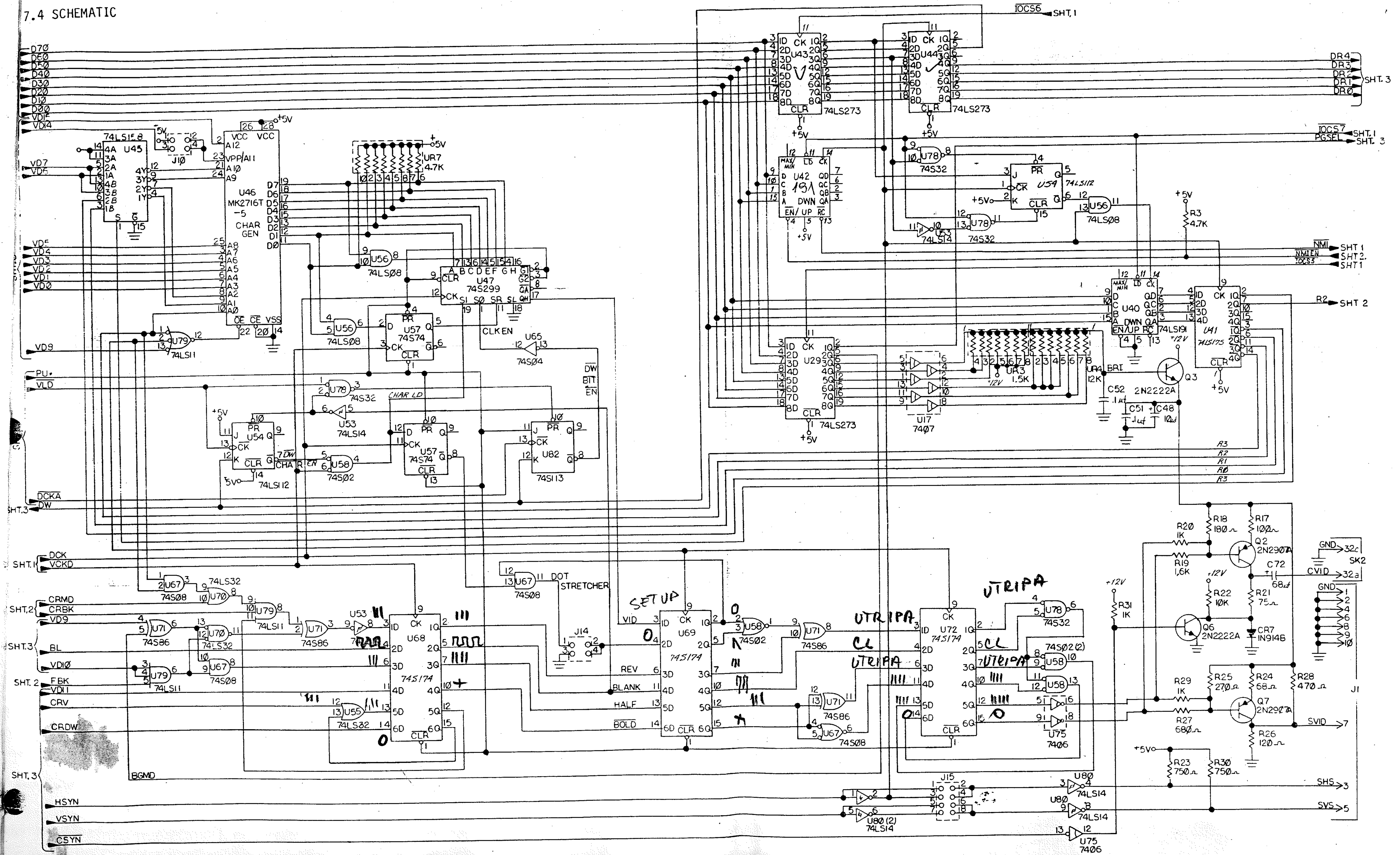


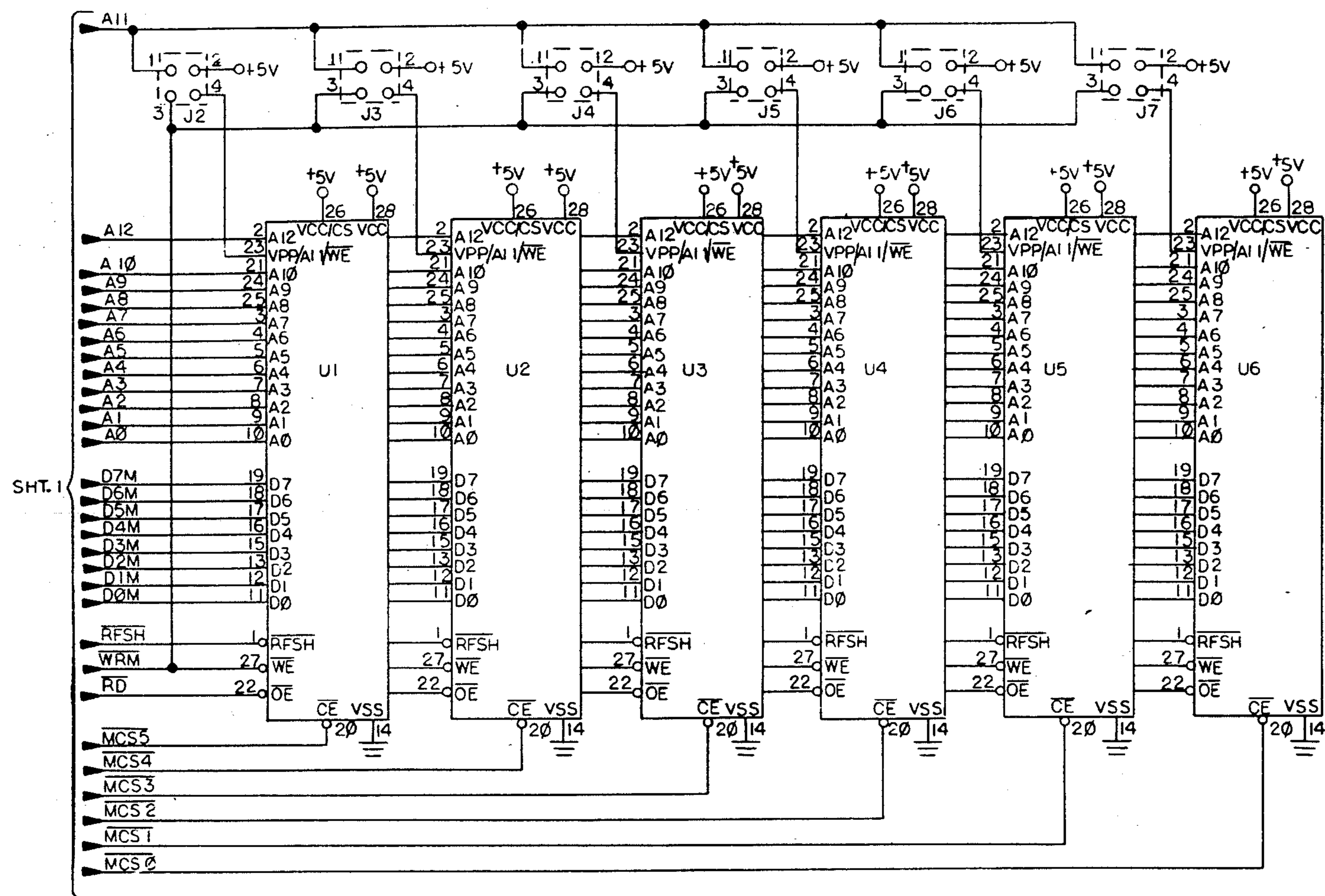
Handwritten note: KOPD 2000





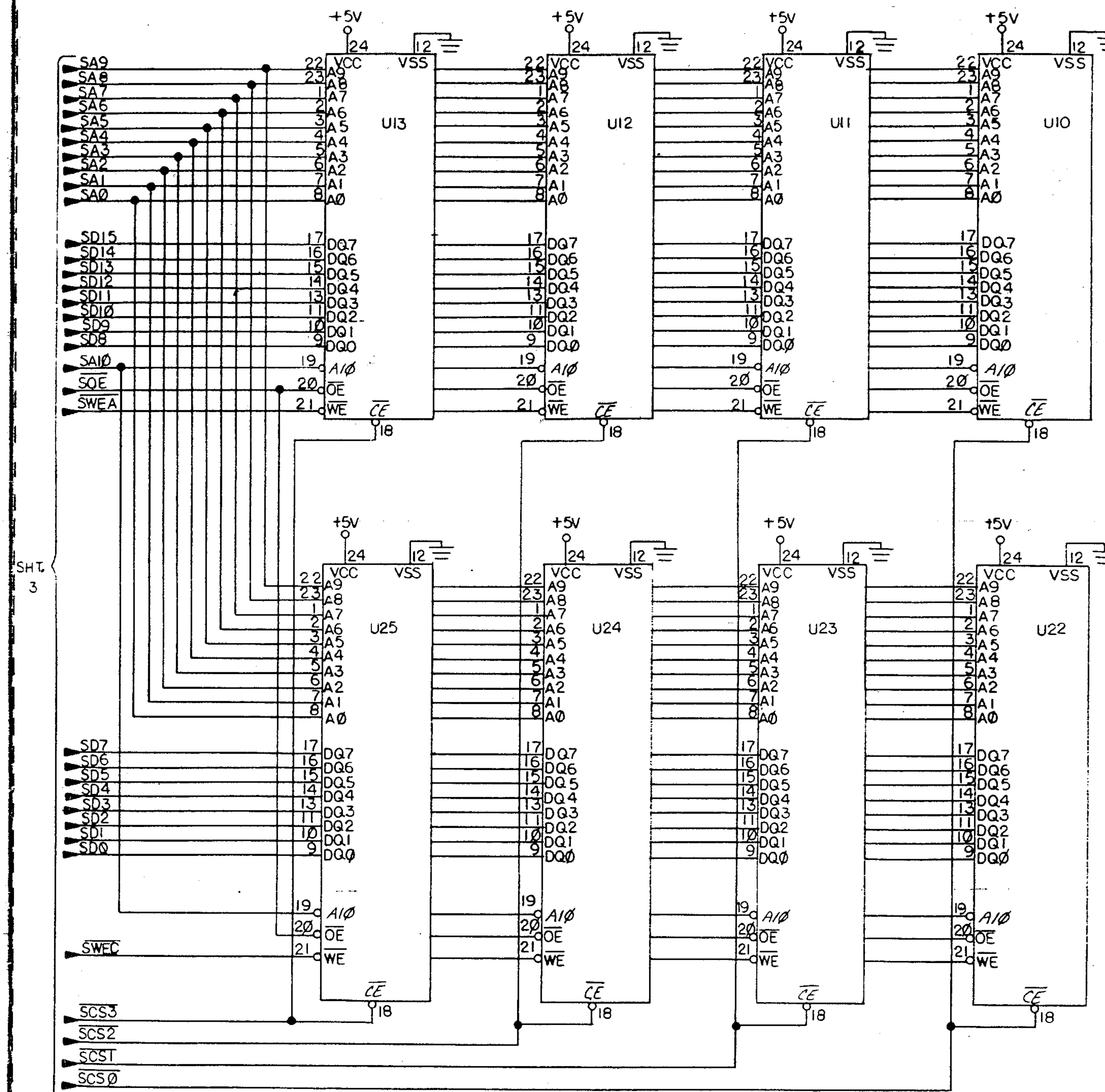
7.4 SCHEMATIC





SHT.5A: CPU MEMORY ARRAY

2K PROM: MK 2716-6
 2K ROM: MK 34080-5
 8K ROM: MK 37080-5
 1K RAM: MK 4112A-4, MK 4811A-9B



SHT.5B: SCREEN MEMORY ARRAY
 1K RAM: MK 4112A-1, MK 4811A-9B
 2K RAM: MK 4802-9B